



DPM MODULES



Red -DPM modules are useful for industries, colleges, laboratories, R&D organizations, defence establishments, railways etc.

Red -DPM modules can be used in volt meter, currents meters, thermometers, capacitance meters, pH meters, lux meters, dB meters, LCR meter, watt meter and several other equipments

Display and Power Supply	Input Signal	Model No.	Cutout H(mm) x W(mm)	Price / Unit (₹)
3½ digit LED, display 5V DC operated	± 200mV DC single ended	M 05-04	25 X 55	275/-
		RM 05-04	28 X 66	
	± 2 V DC single ended	M 05-05	25 X 55	
		RM 05-05	28 X 66	
	± 200mV DC differential	L 05-04	25 X 55	
		RL 05-04	28 X 66	
3½ digit LED display, 12V AC operated	± 200mV DC isolated*	M 12-4	25 X 55	325/-
	± 2 V DC isolated*	M 12-5		
	± 200mV AC isolated*	M 12-14		375/-
	± 2 V AC isolated*	M 12-15		

DISPLAY:

3 ½ digit, LED of 13mm

All of the displays are provided with over-range indications and auto zero facility for input, Decimal point can be achieved at desired position with the help of jumper wires on PCB. Negative sign appears for negative polarity DC signals.

ACCURACY: ± 0.5% ±1 least count

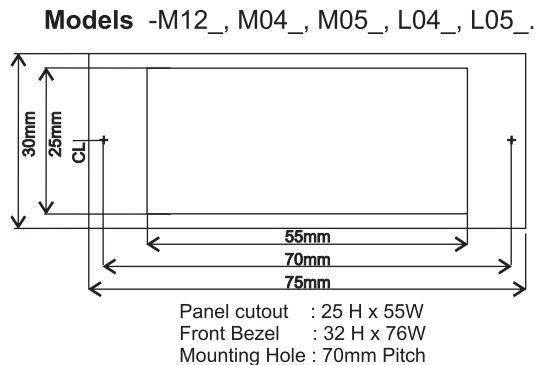
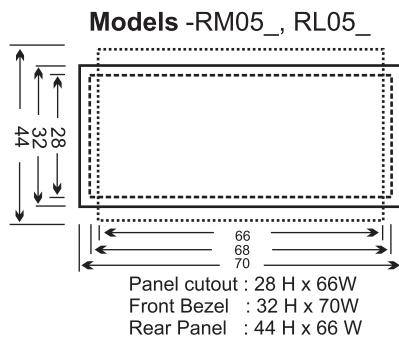
OVER ALL SIZE AND WEIGHT:

30 mm (H) x 75 mm (W) x 25 mm (D) 70 gms .

STANDARD ACCESSORIES: Panel mounting hardware is supplied.

OPTIONAL ACCESSORIES: Step down transformer for **Red** -M12_ at ₹80/- (230V AC to 12V AC at 100mA).

DIMENSIONS (in mm)



Manufactured / Marketed by
AGRAWAL ELECTRONICS
 201, Shivshakti Indl. Estate, Opp. Damodar Park, Near Shreyas Talkies, L.B.S . Marg, Ghatkopar(W), Mumbai 400086, India.
 Tel : 022 2500 0231, Fax : 022 2500 1251, E-mail : agronic@agronic.net, Website : www.agronic.net

We reserve our right to revise the above data without prior intimation. The rates above are for supplies within India.
 VAT extra at 12.5% (2% against C form for outside Maharashtra customers). Freight at actuals extra. The rates are valid until 30.06.2012